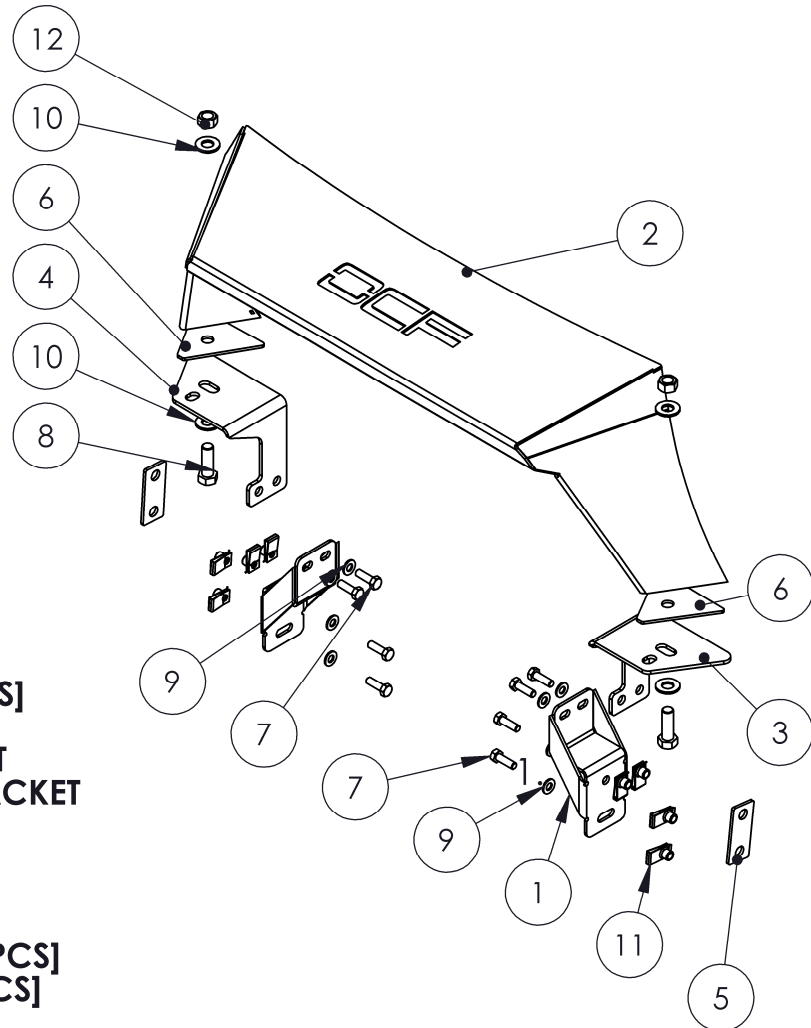


182728

07-15 JEEP JK FORMED FRONT LIGHT BAR

**OFF CAMBER
FABRICATIONS**

by: **MBRP** INC.



1. FRAME BRACKET [2 PCS]
2. LIGHT BAR
3. DRIVER LIGHT BRACKET
4. PASSENGER LIGHT BRACKET
5. NUT PLATE [2 PCS]
6. GASKET [2 PCS]
7. 5/16X 1 BOLT [8 PCS]
8. 1/2X1.5 BOLT [2 PCS]
9. 5/16" FLATWASHER [8 PCS]
10. 1/2" FLATWASHER [4 PCS]
11. PANEL NUT [8 PCS]
12. 1/2" NUT [2 PCS]

PLEASE READ BEFORE STARTING INSTALLATION

While MBRP Inc. has made every effort to ensure that all components of this kit are of superior quality and properly packaged, it is the installer's responsibility to ensure the following before starting:

- that ALL components shown above are present.
- that ALL mating components fit together.
- that there are no damaged components.
- that the kit you have purchased is appropriate for your year and model of vehicle.
- that the kit will not interfere with any modifications previously installed or planned.
- that you have read and understand these instructions.

If you have any questions or are uncertain about any aspect of the installation of this kit on your vehicle please contact your dealer before commencing installation.

2007-2015 Jeep JK Light Bar Kit



Figure 1



Figure 2



Figure 3



Figure 4



Figure 5

NOTE: 2012+ models require installation of a Vacuum Pump Relocate Kit #132032

1. Remove the factory splash guard by removing the push rivets. All rivets are reusable so be careful removing them. **Refer to Figure 1.**

2. Remove the grill by removing the 6 push rivets across the top the Grill shell. Keep the rivets, they will be reused. The lower edge of the Grill is secured by clips. Give the Grill a good pull forward to release the clips. Unplug the signal lights and set the Grill aside. **Refer to Figure 2.**

3. Remove the 2 push rivets from the plastic Filler Panel between the bumper and the rad saddle using a Phillips screwdriver to remove the core, and then pull the rivets out. These will be reused. Sometimes the core will spin without backing out. If this happens, try to pry up on the head of the rivet with a flat screwdriver while unscrewing the core. This will help the rivet pinch the threads of the core allowing removal. Once the rivets are out, slide the panel towards the front of the Jeep, then rotate the rear edge upwards 90 degrees and lift the panel out. **Refer to Figures 3 and 4.**

4. Pull the wiring harness clips off the frame horns on both sides. **Refer to Figure 5.**



Figure 6

5. Install the **Frame Brackets** onto the frame horns by first sliding the **Panel Nuts** onto the **Nut Plates**. Insert the **Nut Plates** into the pockets on either side of the frame, the brackets are installed on the inside of the frame rails. Using the supplied **5/16" Bolts and Washers**, attach each **Frame Bracket** by bolting through the factory holes into the **Nut Plates**. Snug the bolts for now. Adjustment may be required later.

Refer to Figures 6 and 7.



Figure 7

6. Pre-assemble the **Light Bar** on the floor as shown. Be sure to place the **Gasket** between the **Brackets** and the **Light Bar**. Install the **Panel Nuts** making sure that the threaded portion is towards the outside of the Jeep.

Refer to Figures 8, 9, and 10.



Figure 8



Figure 9



Figure 10

7. The outermost pocket on each side of the Filler Panel must be trimmed for the **Light Bar Brackets** to pass through. Use a Dremel tool or similar to cut as shown. Install the Filler Panel. Do not install the Rivets yet. **Refer to Figures 11 and 12.**



Figure 11

8. Install the Grill. Be sure to reconnect the signal light connectors. Reinstall the Push rivets removed in step 2.

9. Install the **Light Bar** assembly by carefully guiding the **Light Bar Brackets** through the holes previously trimmed in the Filler Panel. Hold the Light bar assembly in place and use the supplied **5/16" Bolts and Washers** to secure it to the **Frame Brackets**. Do not tighten yet. **Refer to figure 13.**



Figure 12

10. Align the filler panel and reinstall the rivets removed in step 3.

11. Align the **Light Bar** by shifting the **Frame Brackets, and Light Bar Brackets** as required. Tighten all fasteners.



Figure 13

Congratulations! You're finished! We are sure that you will enjoy this **Off Camber Fabrications** product by *MBRP Inc.*